



Sydney  
 0416040076  
 mobileauto@bigpond.com  
 mobileautomotivesolutions.com.au

# Mobile Automotive Solutions PTY LTD

**Tax Invoice**

**Bill To:** Parkhound P/l  
 mike@spacer.com.AU  
 0414 864 932

**Invoice No:** APP4384  
**Date:** 06/03/2024  
**Due Date:** 06/03/2024

**REGO:** CU27XQ      **YEAR:** 2012  
**MAKE:** Hyundai      **ODO:** 157597  
**MODEL:** Iload

Description	Quantity	Rate	Amount
5w40 Ultra Full syn engine oil	7.5	\$21.00	\$157.50
Oil filter (large diesel)	1	\$46.00	\$46.00
Air filter element	1	\$44.00	\$44.00
Workshop consumables, solvents, sundries and waste oil disposal.	1	\$15.00	\$15.00
Labour on service: -Check all the lights. -Clean the air filter, when can. -Check or top up fluids. -Adjustments where needed. -Tighten bolts where needed. -Check Tyre pressures. -Visual inspection. -Test drive.	1	\$118.18	\$118.18
Cabin filter (supply and fit)	1	\$65.00	\$65.00
Wiper blade inserts, steel back premium (supply and fit) R	3	\$20.00	\$60.00
Park light globe (supply and fit) L	1	\$15.00	\$15.00
Stop light globe (supply and fit) L	1	\$20.00	\$20.00

**Payment Details**

Mobile Automotive Solutions PTY LTD  
BSB: 032159 ACC: 376786  
  
ABN: 35168714029

Subtotal	\$540.68
GST 10%	\$54.07
Total	\$594.75
PAID	\$594.75

**Paid**

---

Balance Due	\$0.00
-------------	--------

---

**Notes**

At the next service or sooner:  
Differential service. Must!  
Fuel filter. Must!

Oil leaks everywhere, needs a good degrease.  
The tyres are worn, the front left mainly.

The brake squeal is probably caused by the rear brake rotors.  
No noise when cold!  
The front pads and rotors are new.They were done last year, including rear pads only.

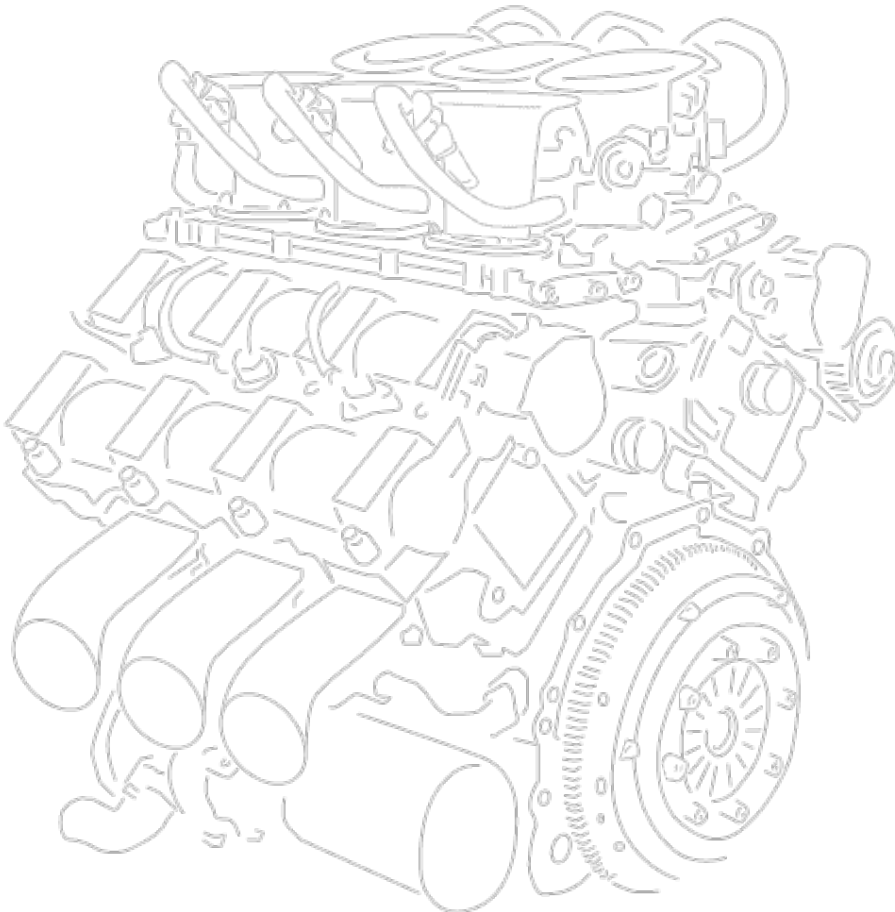


Photo 1

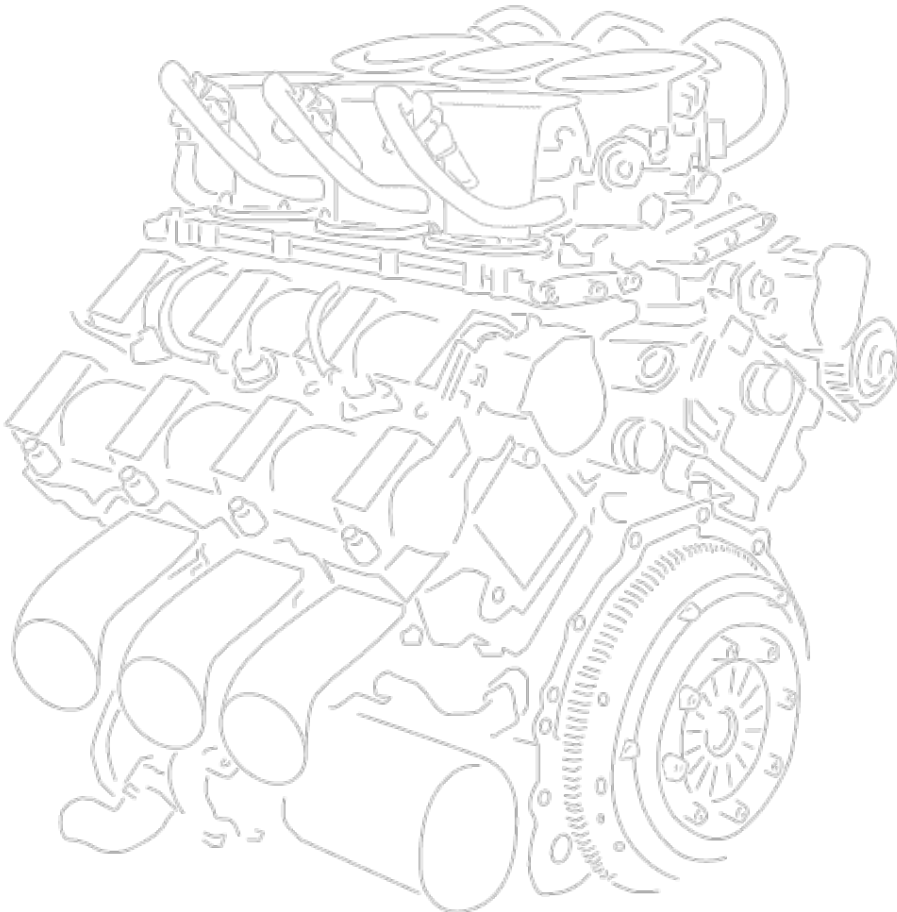


Photo 2

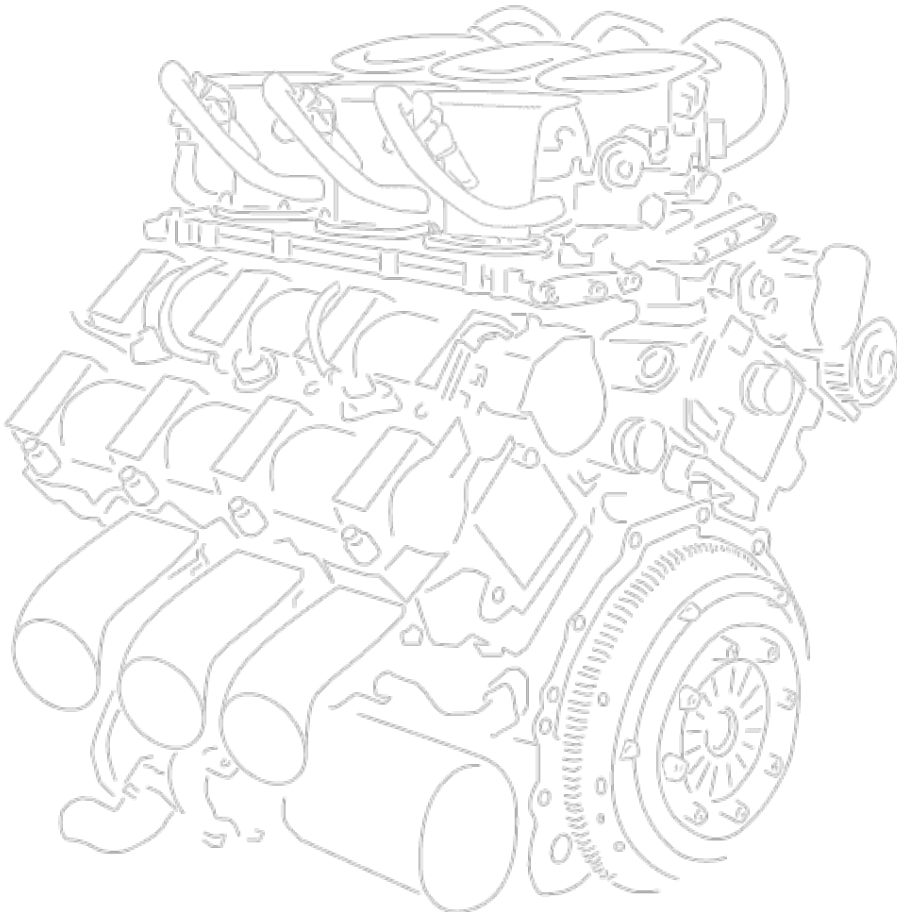


Photo 3

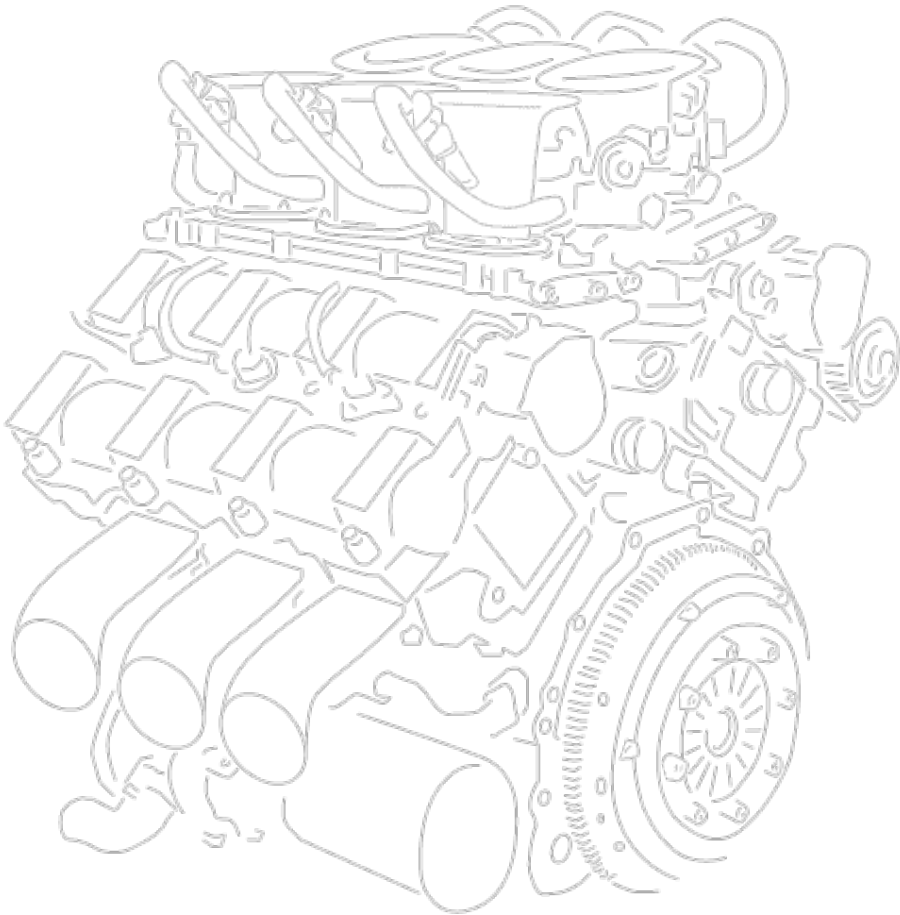


Photo 4

